

#01

POLYRACKTECH-GROUP

PLUG-IN UNITS

// Product information



//02 PLUG-IN MODULES

PLUG-IN UNITS

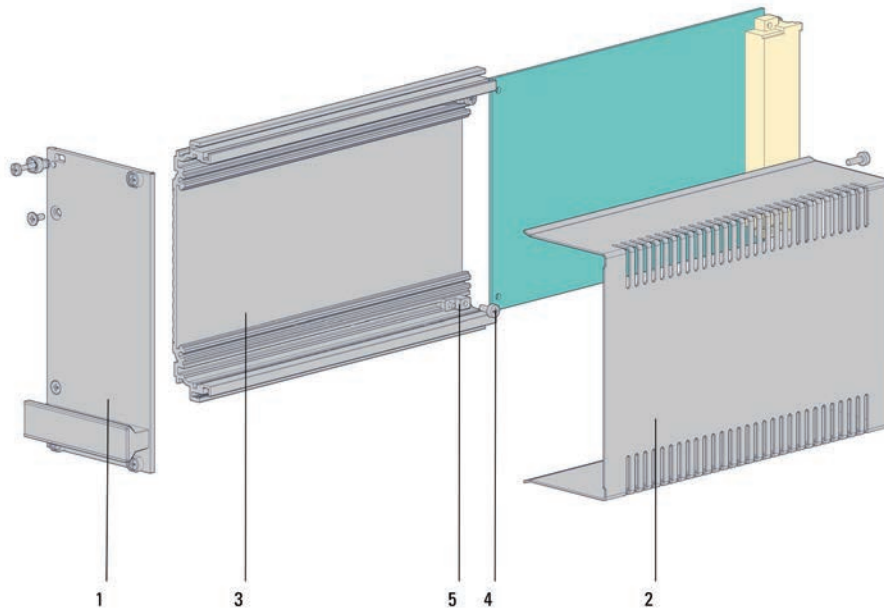
// Product information

Product information

Shielded assemblies and plug-in units are used for PCB mounting. They guarantee optimum protection for individual PCBs in subracks and cases.

Configuration example

The diagram shows the configuration of a plug-in unit using a shielded assembly with hood and front panel as an example



- 1 Front panel with handle*
- 2 Hood
- 3 Side extrusion
- 4 Assembly hardware*
- 5 Board holder for plug-in modules*

Parts marked with * are not included in the scope of delivery of the basic unit, i.e. must be ordered separately.

// Notes on standards, units of measurement and mounting/overall dimensions

Inner and outer dimensions

- IEC 60297-3-101
- IEC 60297-3-102
- IEC 60297-3-103

Unit of height U

Measurement unit for height in 19" rack systems

1 U = 44.45 mm

Increment unit HP

Measurement unit for width in 19" rack systems

1 HP = 5.08 mm

Dimensions specified in ordering tables

The dimensions, in particular those given in U and HP, are specified in relation to the application:

Height H = (n (U) x 44.45 mm) - 4.8 mm

Usable width W = (n (HP) x 0.3 mm)

//02 PLUG-IN MODULES

PLUG-IN UNITS

// Application

// Application

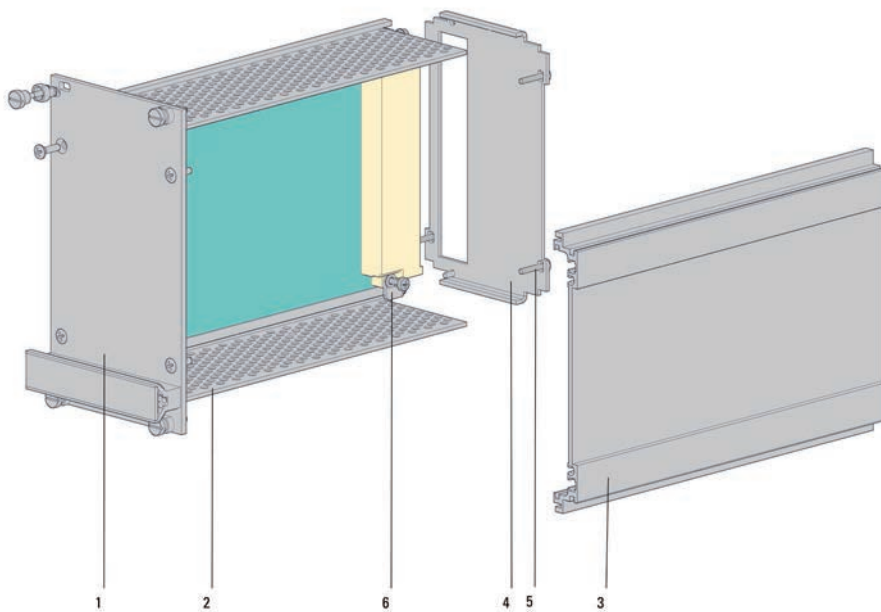
Plug-in modules are designed to accommodate one or more single or double Eurocards. They are mounted in subracks or cases for plug-in-modules.

// Configuration example

The diagram shows the configuration of a plug-in-module using a plug-in unit as an example.

- 1 Front panel with handle*
- 2 Cover plate
- 3 Side extrusion
- 4 Rear panel
- 5 Assembly hardware*
- 6 Mounting bracket for male connector*

Parts marked with * are not included in the scope of delivery of the basic unit, i.e. must be ordered separately.



//02 PLUG-IN MODULES

PLUG-IN UNITS

// Basic units

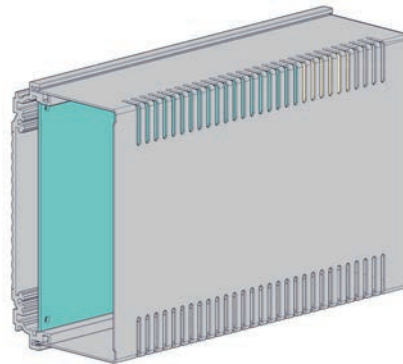
Basic units

Plug-in modules to fit all products with 19" mounting dimensions. There are 3 basic units which differ with respect to their shielding and mounting capabilities.

Features of the basic units

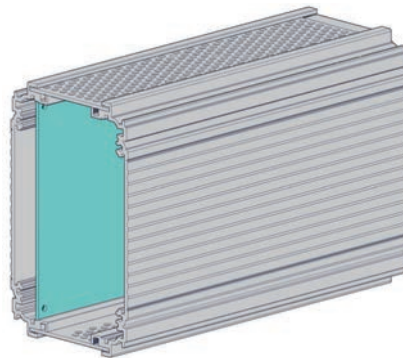
Shielded assemblies, RFI

They are made up of a side extrusion and a hood and can accommodate one PCB in the extruded case. They fulfill the highest shielding requirements.



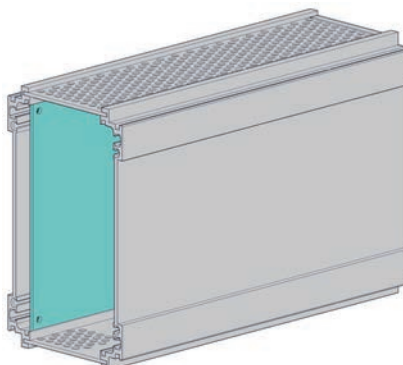
Plug-in units, RFI

They are made up of several parts and can accommodate one PCB on the left and one on the right in the extruded case. Please note that the PCB on the right is then inserted the other way up. They fulfill the highest shielding requirements.



Plug-in units, shielded

They are made up of several parts and can accommodate one PCB on the left and one on the right in the extruded case. Please note that the PCB on the right is then inserted the other way up. They fulfill the highest shielding requirements.

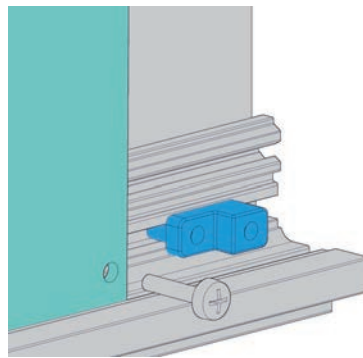


//02 PLUG-IN MODULES PLUG-IN UNITS

// Board holders

Board holders

The board holder is used to mount PCBs on the side extrusion.



Board holder – Plug-in modules

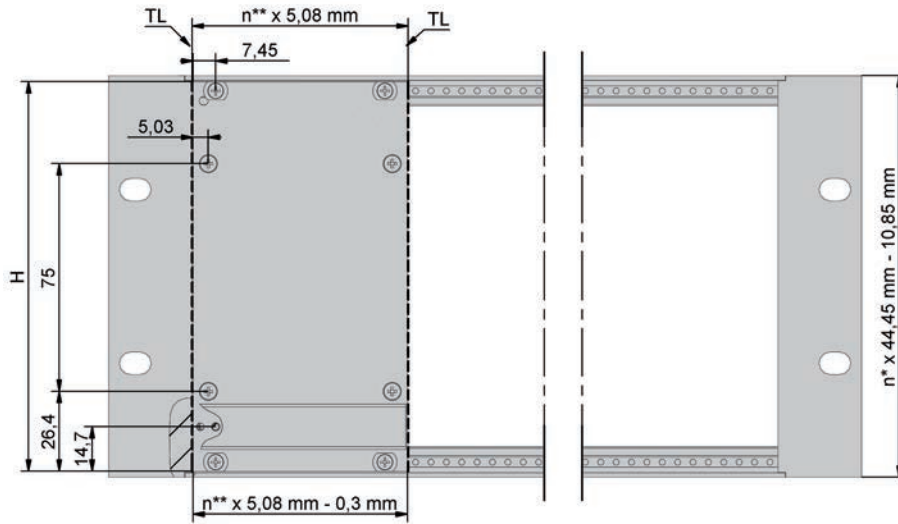
Material

Zinc die-cast

//02 PLUG-IN MODULES

PLUG-IN UNITS

// Product information

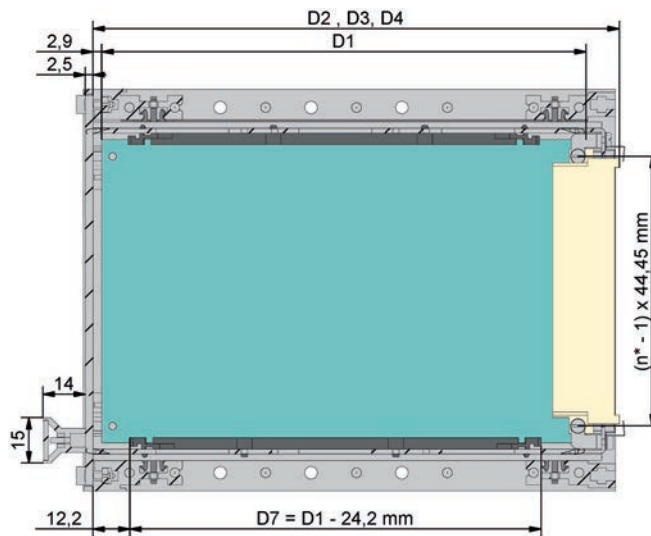


Front view of plug-in module, standard

Mounting dimensions (mm)

	H
3 U	= 128.5
4 U	= 173.0
6 U	= 261.9

- * (U)
- ** (HP)
- TL (partition line)



Side view of plug-in module, standard

Dimensions (mm)

D1*	D2 ± 0.4**	D3 ± 0.4***	D4 ± 0.4****
80.00	89.93	91.93	91.74
100.00	109.93	111.93	111.74
160.00	169.93	171.93	171.74
220.00	229.93	231.93	231.74
280.00	289.93	291.93	291.74

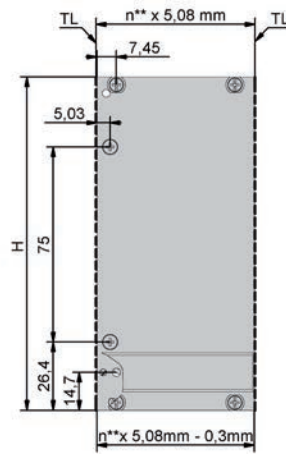
- * PCB depth
- ** Insertion depth for IEC 60603-2 connectors, styles B, C, D and IEC 61076-4-113
- *** Insertion depth for IEC 60603-2 connectors, styles F, G, H
- **** Insertion depth for IEC 61076-4-101 connectors

//02 PLUG-IN MODULES

PLUG-IN UNITS

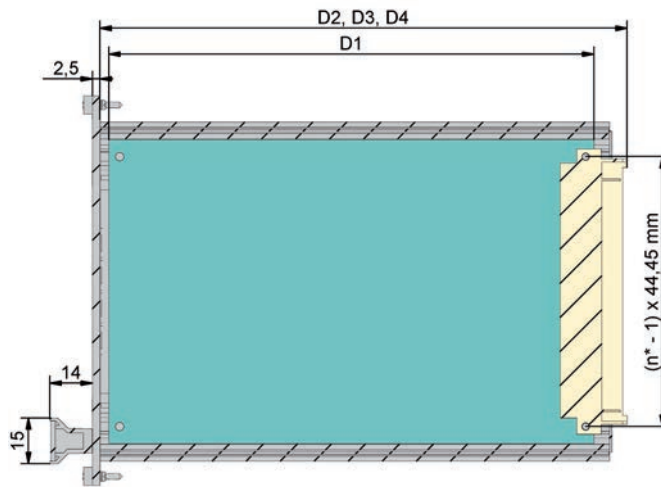
PLUG-IN MODULES

// Product information

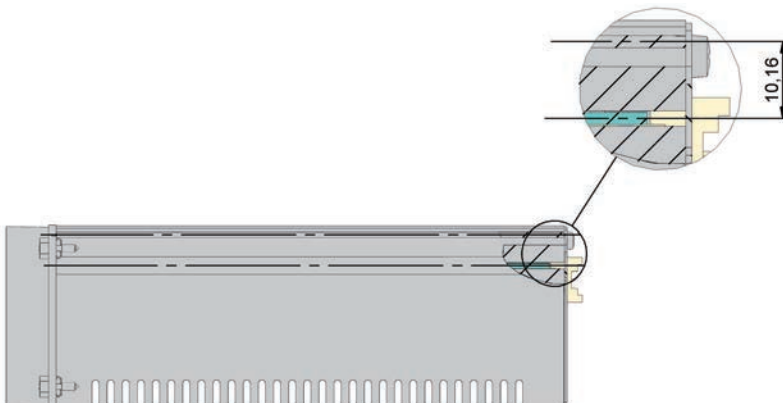


Dimension diagrams

Front view, shielded assembly, RFI



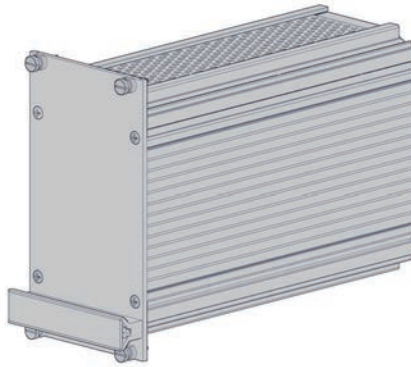
Side view, shielded assembly, RFI



Top view, shielded assembly, RFI

//02 PLUG-IN MODULES PLUG-IN UNITS

// Product information



Plug-in units, RFI

Material

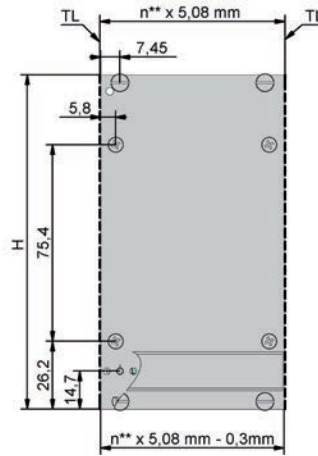
Side extrusions aluminum alodined, top and bottom covers aluminum alodined, rear panel stainless steel 1.4016

Dimensions

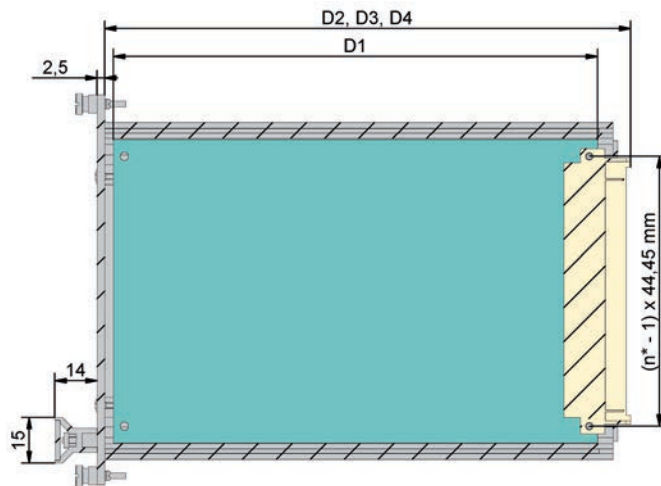
U	HP
3 U	14 HP
3 U	21 HP
3 U	28 HP
6 U	14 HP
6 U	21 HP
6 U	28 HP

//02 PLUG-IN MODULES PLUG-IN UNITS

// Product information

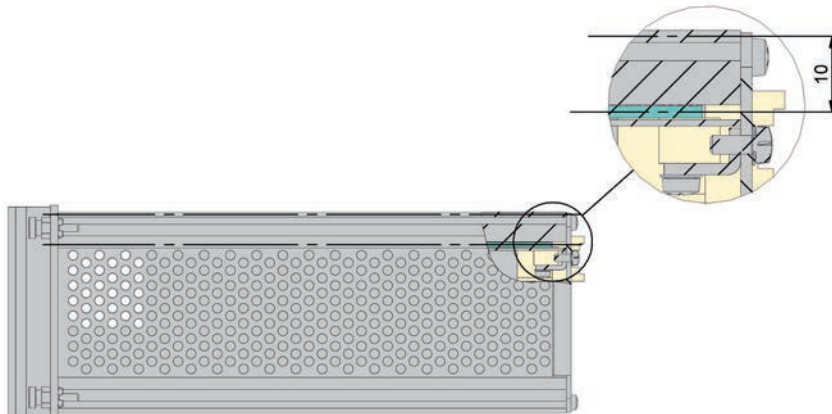


Front view, plug-in units, shielded



Side view, plug-in units, RFI

D = overall depth
D1 = usable internal dimension
D2 = mounting depth in 19" rack



Top view, plug-in units, shielded